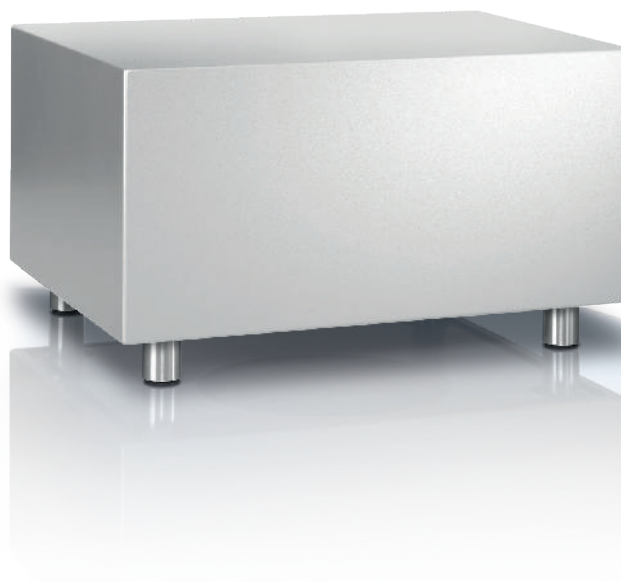

Audiodesign

Subwoofer 525

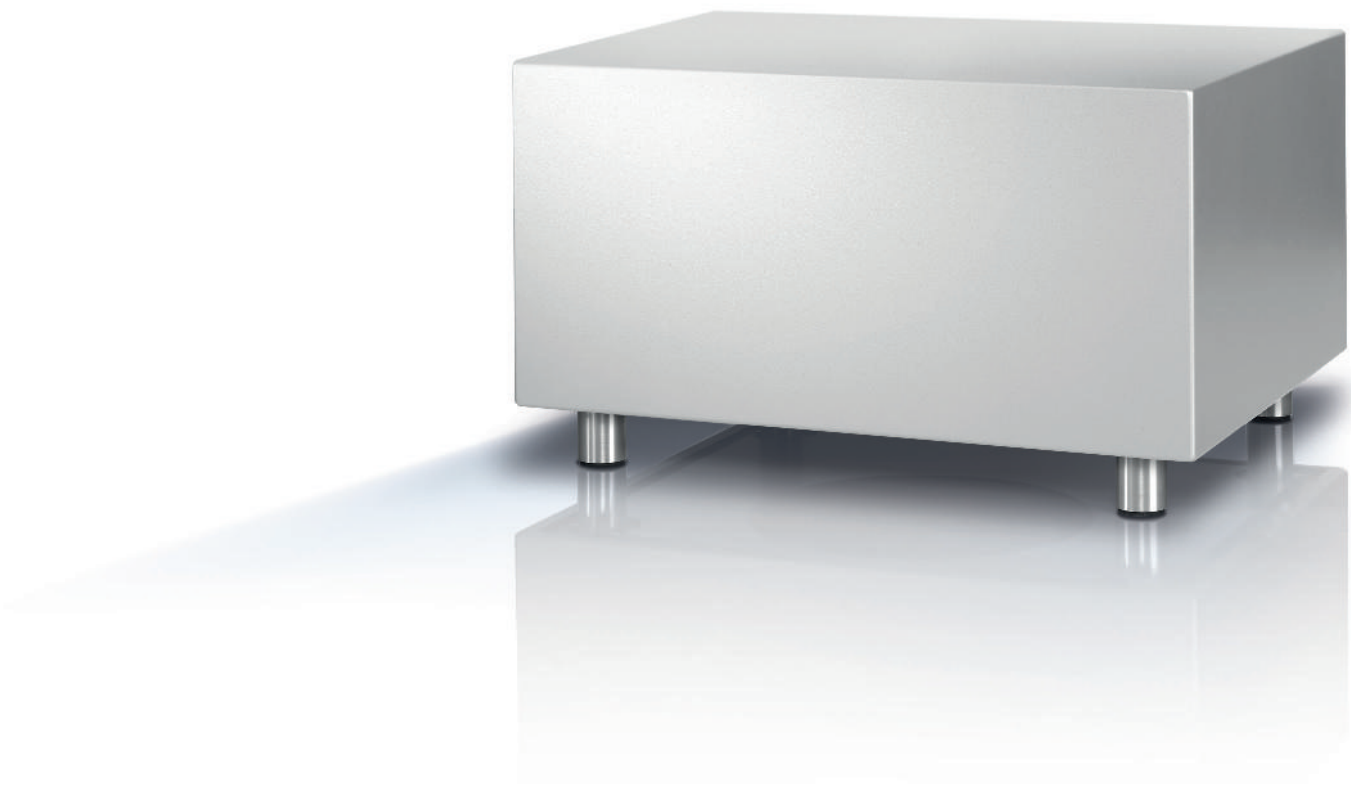


Bedienungsanleitung, Operating instructions, Mode d'emploi, Istruzioni per l'uso, Instrucciones de manejo,
Gebruiksaanwijzing, Betjeningsvejledning, Käyttöohje, Bruksanvisning

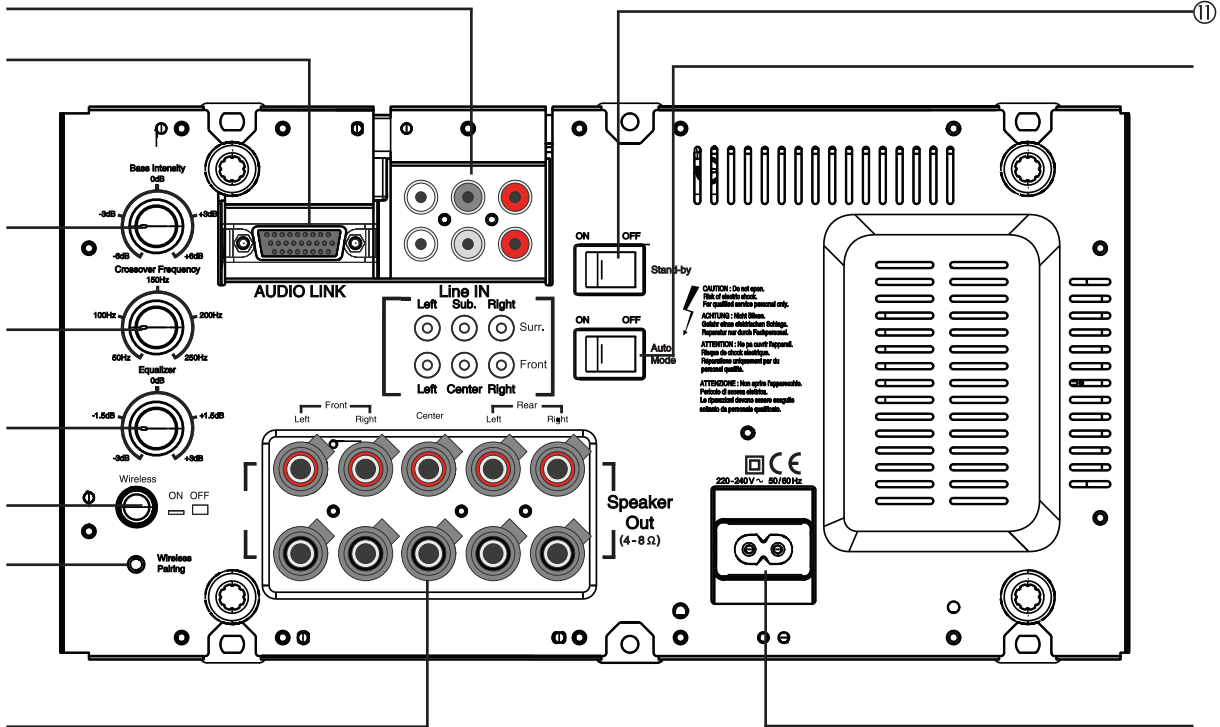
LOEWE.

34467004





Subwoofer



Welcome

Thank you

for choosing a Loewe product. We are happy to welcome you as our customer. At Loewe, we combine the highest standards of technology, design and user-friendliness. This is true of all our TVs, DVD/Blu-ray products, audio products and accessories.

Neither technology nor design is an end in itself, but both are intended to provide our customers with the best possible audio and visual experience.

Our design is not influenced by short-term, fashionable trends. You have, after all, purchased a high-quality piece of equipment which you do not want to tire of tomorrow or the day after.

The Loewe subwoofer is fine-tuned for use with Loewe TV sets (from chassis L27xx/SL1xx/SL2xx) as well as with Loewe loudspeaker systems.

Loewe TV sets (from chassis L27xx/SL1xx/SL2xx) with an integrated digital multi-channel audio decoder transfer the audio signals to the subwoofer via an Audiolink cable or via a Digital Audiolink cable. The Loewe subwoofer then switches itself on and off with the Loewe TV set.

The audio settings can be selected conveniently using the menus of the Loewe TV set.

You can also use the Loewe subwoofer along with an external audio source. However, you then lose the Loewe system advantages (e.g. automatic on/off switching). In this case, see your decoder (e.g. AV receiver) for operating instructions.

Scope of delivery

Loewe Subwoofer 525, Catalogue no. 69211T/U/W10 - 30

- Loewe Subwoofer 525
- Mains cable
- Audiolink cable (6 m) (only at variant 10/20)
- Converter Digital Audiolink / Audiolink (only at variant 30)
- Network cable (only at variant 30)
- Electronic cover
- Operating instructions

Accessories

Floor stand for the subwoofer	Catalogue no. 71135B00
Wireless Audiolink module	Catalogue no. 71223080
Converter Digital Audiolink / Audiolink	Catalogue no. 71600080
Audiolink cable (1.5 m)	Catalogue no. 89952001
Audiolink cable (3 m)	Catalogue no. 89952004
Audiolink cable (10 m)	Catalogue no. 89952003

Safety

For your safety

For your safety and to avoid unnecessary damage to your TV set, please read and observe the following safety instructions:

- The unit is intended exclusively for the playback of audio signals.
- Always switch off the unit before connecting or disconnecting other devices or speakers.
- Do not allow the unit to run when it is unattended. If the unit is not to be used for an extended period, switch off the mains switch (11) or unplug the mains plug.

Protect the unit from:

- Damp, moisture, steam, dripping water or sprayed water
- Knocks and mechanical stress
- Magnetic and electrical fields
- Higher electrical power than specified
- Cold, heat, direct sunlight and high temperature fluctuations
- Dust
- Covers that obstruct air circulation
- Interventions inside the unit



Do not place objects containing liquids on top of the unit.



Candles and other open flames must be kept away from the unit at all times to prevent the spread of fire.

This unit has been built exclusively for private use in domestic environments. Warranty services cover this intended use of the unit.

WARNING: TO PREVENT ELECTRICAL SHOCK, DO NOT OPEN THE UNIT. THERE ARE NO PARTS INSIDE THE UNIT THAT CAN BE REPAIRED BY THE USER. REPAIRS SHOULD ONLY BE CARRIED OUT BY A LOEWE DEALER.

If you have moved the unit out of the cold into a warm environment, leave it switched off for about an hour to avoid condensation forming. Do not switch the unit on until it has reached room temperature. This prevents serious damage to the components.

Care / Setup

Cleaning

Only clean the unit with a damp, soft and clean cloth (without using any kind of harsh cleaning agent).

Setting up the subwoofer

Basic information

- Place the unit on a stable, even surface.
- Do not set up the unit near strong heat sources or in direct sunlight.
- When installing in a cabinet or closed shelf, leave about 10 cm free around the unit to allow the air to circulate freely, thereby avoiding a build-up of heat and sound pressure.
- Disconnect the mains plug during thunderstorms. Surge voltages caused by lightning strikes can damage the unit through the antenna system and the mains.
- If the unit is not to be used for an extended period, the plug should also be disconnected from the mains.
- The mains plug must be easily accessible so that the unit can be disconnected from the mains at any time.
- Lay the speaker and power cables in such a way that they cannot be damaged. The power cable may not be kinked or laid over sharp edges, stood on or exposed to chemicals; the latter also applies to the system as a whole. A power cable with damaged insulation can cause electric shocks and poses a fire risk. As such, it must be changed before the unit is used again.
- When unplugging the unit from the mains, pull the plug housing and not the cable. The cables in the mains plug could otherwise be damaged and could cause a short-circuit when being plugged in again.
- The speakers generate stray magnetic fields which act in the vicinity of the housing. We recommend a minimum distance of > 0.5 m from magnetically sensitive equipment such as CRT TV sets, magnetic data media, etc.

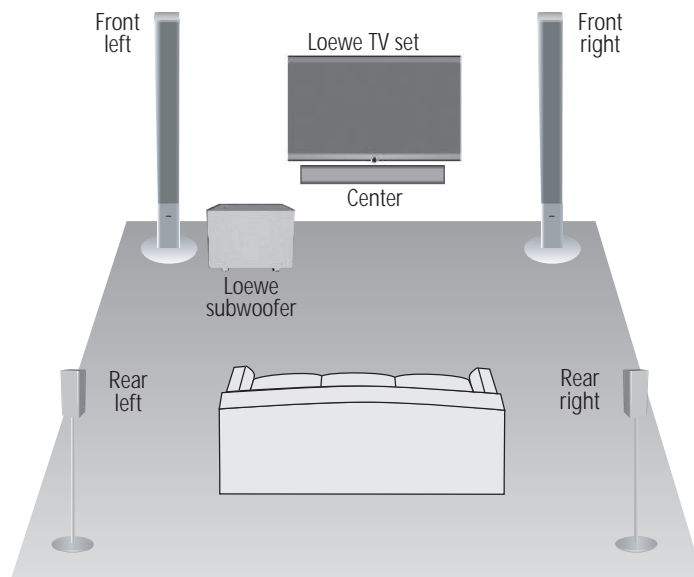
Subwoofer

You can position the subwoofer anywhere on the floor.

We recommend the front area of the room in a way that the basses can freely flow to the sides and downwards.

Important: Never obstruct the air vents on the back of the subwoofer. Make sure it is far enough away (> 10 cm) from the floor or wall.

Suggested setup solution for Surround 5.1



Connection

Cabling for Loewe TV set (SL2xx) - Loewe subwoofer - loudspeaker

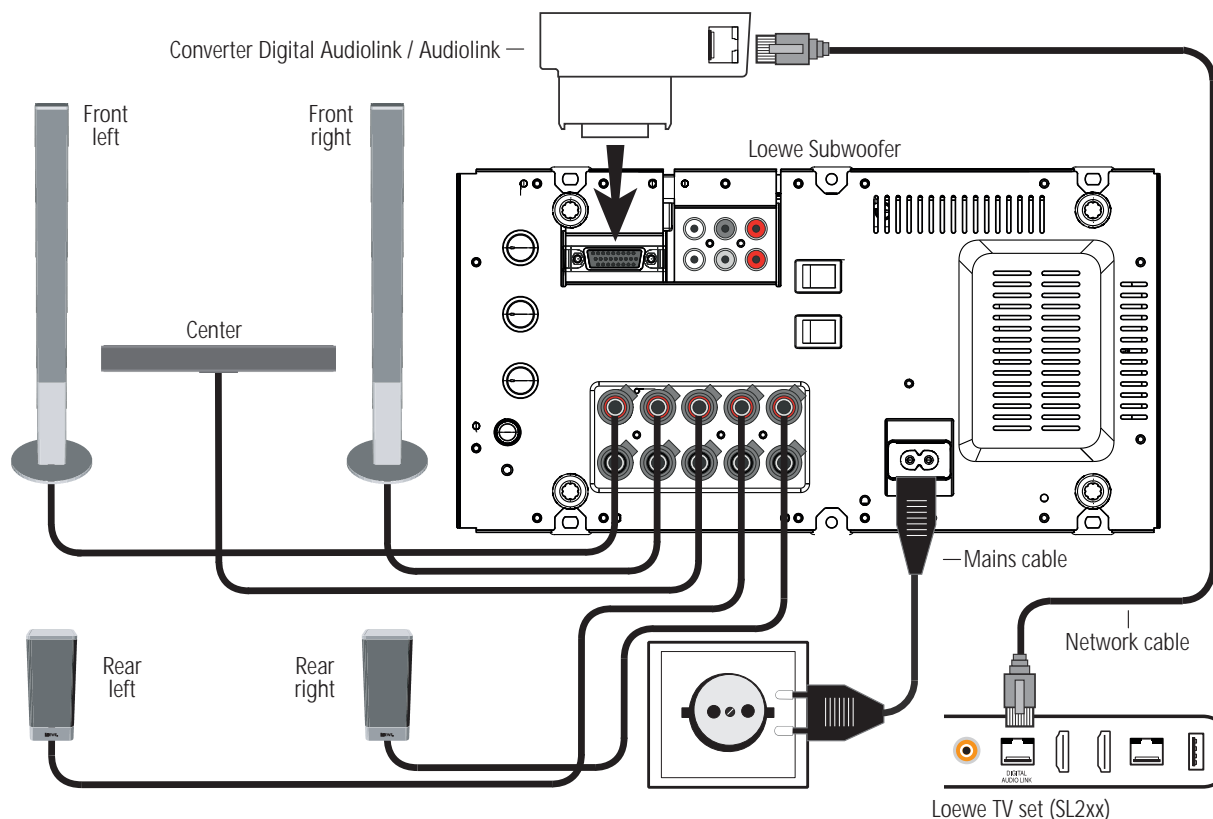
► The TV set must be equipped with a **Digital Audiolink**.

You can either connect the subwoofer via a network cable (Cat. 5e or higher) and the **Converter Digital Audiolink / Audiolink** (included with the Loewe Subwoofer 525, order no. 69211T/U/W30) or you can connect it wirelessly to a compatible audio source via the **Module Wireless AudioLink** which can be optionally retrofitted.

If you wish to connect the subwoofer using the network cable, connect the **Converter Digital Audiolink / Audiolink** to the 25-pin **Audiolink** socket ② of the subwoofer. Use the network cable to connect the **Digital Audiolink** of the TV set to the socket of the **Converter Digital Audiolink / Audiolink**.

Connect the speaker cable to the speaker according to the appropriate installation instructions. One of the two wires of the speaker cables is usual marked black. Connect this black marked cable to the black screw terminal on the subwoofer ⑧ (connection diagram, see figure below) and the black terminal on the speaker. Turn the screw connection of the respective terminal on the subwoofer anticlockwise about 5 turns. Feed the wire end into the screw terminal (top right-hand side) and close the screw terminal by turning it clockwise. Connect the unmarked wires to the red terminals.

Use the mains cable supplied to connect the 220-240 V socket ⑨ of the subwoofer to a 220-240V 50/60 Hz socket.



Connection

Cabling for Loewe TV set (L27xx/SL1xx) - Loewe subwoofer - loudspeaker

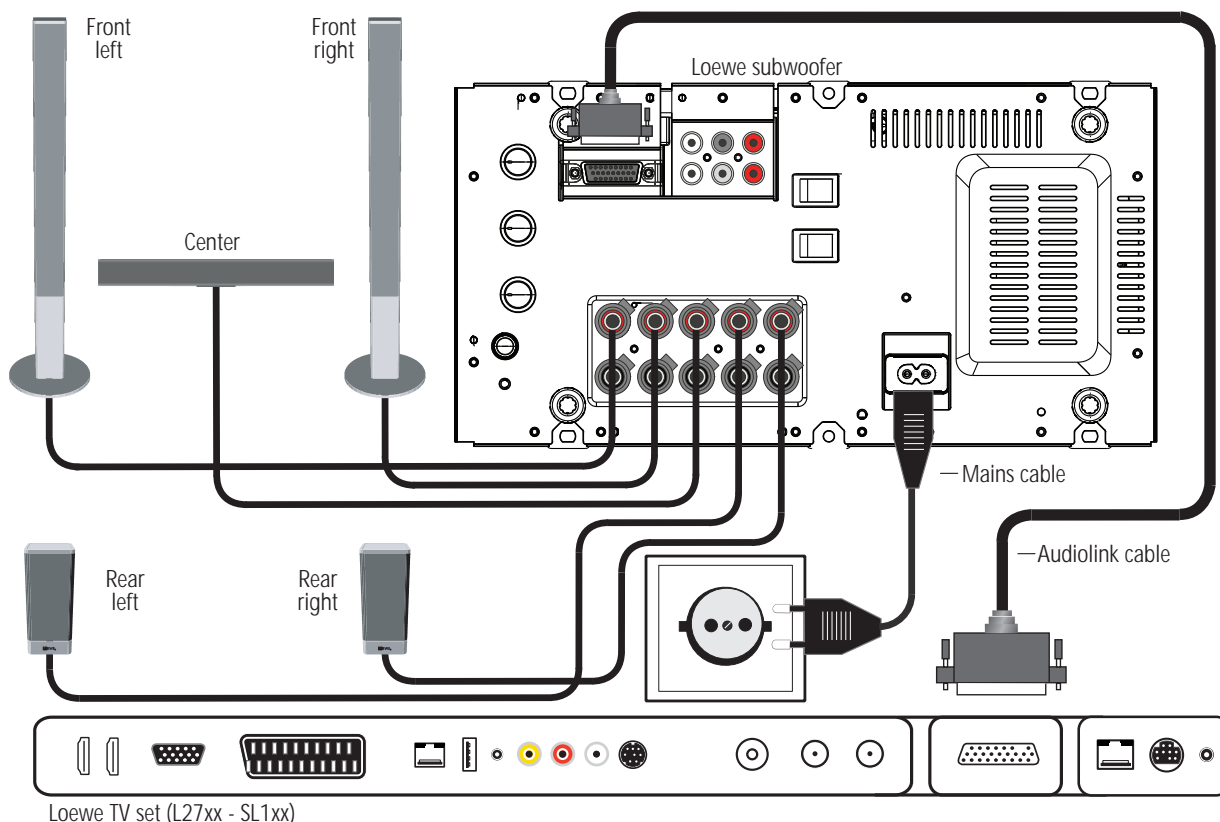
► The TV set must be equipped with an integrated digital multi-channel audio decoder. If this has not been done at the factory, please consult your dealer and ask them for the suitable Loewe upgrade kit.

You can connect the subwoofer either via an optional Audiolink cable or via the optional upgrade module Wireless AudioLink wirelessly with a compatible audio source.

If you connect the subwoofer via the Audiolink cable, install it with the 25-pole connector at the Loewe TV set and at the subwoofer (socket **Audiolink** ②).

Connect the speaker cable to the speaker according to the appropriate installation instructions. One of the two wires of the speaker cables is usual marked black. Connect this black marked cable to the black screw terminal on the subwoofer ⑧ (connection diagram, see figure below) and the black terminal on the speaker. Turn the screw connection of the respective terminal on the subwoofer anticlockwise about 5 turns. Feed the wire end into the screw terminal (top right-hand side) and close the screw terminal by turning it clockwise. Connect the unmarked wires to the red terminals.

Use the mains cable supplied to connect the 220-240 V socket ⑨ of the subwoofer to a 220-240V 50/60 Hz socket.



Start-up and settings

Before beginning with the start-up and settings, make sure that all the cables are connected correctly.

Switching the subwoofer on/off

Use the mains switch ⑪ to switch the subwoofer to the **ON** position.

Mode with Loewe TV sets

If the subwoofer is connected as described on side 12 or 13 and the **Auto Mode** switch ⑩ is in the **OFF** position, you no longer need to switch the subwoofer on and off separately. After switching on the subwoofer for the first time it is switched on and off automatically with the Loewe TV set.

Automatic mode with other audio sources

If the **Auto Mode** switch ⑩ is in the **ON** position and audio signals are present at the cinch sockets **Line IN Front Left/Center/Front Right**, then the subwoofer switches itself on automatically. If no audio signals are present at these sockets for a duration of 10 minutes, then the subwoofer switches itself off automatically.

- The subwoofer can switch itself on automatically if any interfering signals are present on the audio cables. In this case, switch the unit off at the mains ⑪.
- The subwoofer can switch itself off automatically during long, very quiet passages in the playback. You will then need to turn up the volume.

Settings on the Loewe TV set

Make the necessary settings to your subwoofer as described in your Loewe TV set's operating instructions in the "Operating additional devices" / "External devices" chapters.

Setting the equalizer

Using the **Equalizer** knob ⑤ you can set the lowest frequency ranges (20 Hz - 50 Hz) for bass reproduction to be raised or lowered.

- If the subwoofer is near the corner of the room, turn the **Equalizer** knob ⑤ more in the **-3 dB** direction.
- If the subwoofer is near a wall, then turn the **Equalizer** knob more to the middle position.
- If the subwoofer is freely positioned in the room, turn the **Equalizer** knob ⑤ more in the **+3 dB** direction.

Bass intensity

Using the **Bass Intensity** controller ③ you can set the basic bass volume to suit you.

Setting the crossover frequency

You can use the **Crossover Frequency** ④ knob to set the crossover frequency for bass reproduction between 50 Hz and 250 Hz depending on which speakers you have connected.

As described on side 12 or 13, for Loewe audio systems the knob should be set to 250 Hz because the crossover frequency is set to this in the Loewe audio sources (TV set).

Wireless

Set the **wireless** switch ⑥ to the **OFF** position once you have attached the subwoofer to an audio source via a cable, otherwise you will not hear any sound.

Move the **Wireless** ⑥ switch to the **ON** position if you wish to connect the subwoofer wirelessly to a compatible audio source.

Activate Coupling mode, as described in the instruction manual of the relevant audio source. Use the **Wireless Pairing** ⑦ button on the subwoofer using a sharp object. A message appears on the display of the audio source if the registration was successful. If the registration was not successful, please try again and reduce the distance of the subwoofer to the audio source.

Cover on the subwoofer

After you have made the settings described in "Start-up and settings", mount the cover on the rear of the subwoofer.

Technical data

Loewe subwoofer

Operating temperature [°C]	5 ... 40
Humidity [%] (no condensation)	30 ... 90
Dimensions [W x H x D in cm]	43 x 24.4 x 35.5
Mass [kg]	12.6
Digital output stages	6 channels
Principle	1 way bass reflex, active
Equipment	1 x bass 200 mm
Load capacity of the subwoofer channel	150 (sine) / 225 watt (max. music)
Load capacity of other channels	5x 75 (sine) / 100 watt (max. music)
Mains voltage [volt 50/60 Hz]	220 - 240V
Maximum power consumption [watt]	400
Nominal power consumption [watt]	110
Power consumption on standby [watt]	< 0.5
Bass intensity [dB]	±6
Transmission range of the subwoofer (acoustic)	36 Hz – 250 Hz - 3dB
Transmission range of other channels	20 Hz – 22 kHz - 3dB
Loudspeaker impedance [Ohm]	4
Mains switch	yes
Mode switch	yes
Line In	RCA socket 6x: FL, Center, FR, RL, Subw, RR
System link	Audiolink 25-pin D-Sub

Masthead

Loewe Opta GmbH is a public limited company under German law with its Head Office in Kronach.

Loewe Opta GmbH
Industriestrasse 11, 96317 Kronach

Editorial date 03.13. 5th edition
© Loewe Opta GmbH, Kronach

All rights reserved, including those of the translation.
Design and technical specifications are subject to change without notice.

Disposal

Cardboard box and packaging

In line with national regulations regarding the disposal of packaging materials, we pay a fee to authorised recyclers who collect packaging from dealers. Nevertheless, we recommend that you keep the original cardboard box and the rest of the packaging materials so that the unit can, if necessary, be transported in the safest possible conditions.

The unit



Attention: The EU Directive 2002/96/EC governs the proper return, handling and recycling of used electronic appliances. Old electronic appliances must therefore be disposed of separately. Never dispose of this unit in the normal domestic waste! You can hand in your old unit free of charge at identified collection points or to your dealer if you buy a similar new unit. Other details on collection (also for non-EU countries) are available from your local authorities.

Service

(A) Loewe Austria GmbH
Parking 12
1010 Wien, Österreich
Tel +43 - 810 0810 24
Fax +43 - 1 22 88 633 - 90
E-mail: loewe@loewe.co.at

(AUS) Audio Products Group Pty Ltd
67 O'Riordan St
Alexandria NSW 2015, Australia
Tel +61 - 1300 130 492
Fax +61 - 02 9578 0140
E-mail: help@audioproducts.com.au

(B) **(NL)** **(L)**
Loewe Opta Benelux NV/SA
Uilenbaan 84
2160 Wommelgem, België
Tel +32 - 3 - 2 70 99 30
Fax +32 - 3 - 2 71 01 08
E-mail: ccc@loewe.be

(BG) Darlington Service
193 Kn. Klementina St.
1612 Sofia, Bulgaria
Tel +359 - 2 9556399
E-mail: darlington@psp-bg.com

(CH) Telion AG
Rütistrasse 26
8952 Schlieren, Schweiz
Tel +41 - 44 732 15 11
Fax +41 - 44 732 15 02
E-mail: infoKD@telion.ch

(CY) Hadjikyriakos & Sons Ltd.
121 Prodomos Str., P.O Box 21587
1511 Nicosia, Cyprus
Tel +357 - 22 87 21 11
Fax +357 - 22 66 33 91
E-mail: savvas@hadjikyriakos.com.cy

(CZ) BaSys CS s.r.o.
Sodomkova 1478/8
10200 Praha 10 - Hostivar,
eská republika
Tel +420 234 706 700
Fax +420 234 706 701
E-mail: off@basys.cz

(D) Loewe Opta GmbH,
Customer Care Center
Industriestraße 11
96317 Kronach, Deutschland
Tel +49 9261 99-500
Fax +49 9261 99-515
E-mail: ccc@loewe.de

(DK) EET Europarts
Nordisk Loewe distributor
Bregnerødvej 133 D
3460 Birkerød, Denmark
Tel +45 - 82 19 19
Fax +45 - 82 16 09
E-mail: info@eeturoparts.dk

(E) Gaplasa S.A.
Conde de Torroja, 25
28022 Madrid, España
Tel +34 - 917 48 29 60
Fax +34 - 913 29 16 75
E-mail: loewe@maygap.com

(F) Loewe France SAS
Rue du Dépôt,
13 Parc de l'Europe, BP 10010
67014 Strasbourg Cédex, France
Tel +33 - 3 - 88 79 72 50
Fax +33 - 3 - 88 79 72 59
E-mail: loewe.france@loewe-fr.com

(FIN) Karevox Oy
Museokatu 36
00100 Helsinki, Finland
Tel +358 - 9 44 56 33
E-mail: kare@haloradio.fi

(GB) **(IRL)** Loewe UK Limited
1st Floor, 237A Kensington High St
London
W8 6SA, UK
Tel +44 - (0) 207 368 1100
Fax +44 - (0) 207 368 1101
E-mail: enquiries@loewe-uk.com

(GR) **(RO)** Issagogiki Emboriki
Ellados S.A.
321 Mesogion Av.
152 31 Chalandri-Athens, Hellas
Tel +30 - 210 672 12 00
Fax +30 - 210 674 02 04
E-mail: christina_argyropoulou@
isembel.gr

(H) Basys Magyarorszagi KFT
Tó park u.9.
2045 Törökbálint, Magyar
Tel +36 - 2341 56 37 (121)
Fax +36 - 23 41 51 82
E-mail: ertesites@basys.hu

(HK) **(CN)** Galerien Und PartnerPlus
King's Tower 28/F, 111 King Lam Street
Kowloon, Hong Kong
Tel +852 - 27 77 89 88
Fax +852 - 23 10 08 08
E-mail: service@loewe-cn.com

(HR) Plug&Play Ltd.
Bednjanska 8, 10000 Zagreb
Hrvatska (Kroatia)
Tel +385 1 4929 683
Tel +385 1 4929 682
E-mail: info@loewe.hr

(I) Loewe Italiana S.r.L.
Via Monte Baldo, 14/P - 14/N
37069 Dossobuono di Villafranca di
Verona
Tel +39 - 045 82 51 690
Fax +39 - 045 82 51 622
E-mail: info@loewe.it

(IL) Clear electronic entertainment Ltd
13 Noah Mozes St.
Agish Ravad Building
Tel Aviv 67442, Israel
Tel +972 - 3 - 6091100
Fax +972 - 3 - 6092200
E-mail: info@loewe.co.il

(IND) Navshiv Retail Pvt. Ltd.
Block D, Plot No. 7 Shanti Kunj
Vasant Kunj
New Delhi - 110070, India
Tel +91 11 47 65 55 00
Fax +91 11 47 67 67 15
E-Mail: admin@navshiv.com

(IR) MiMoRa HOLDING CO.
NO 1001, Afra Tower
Parsa St. Fereshteh
Tehran, Iran
Tel + 98 921 344 0521
E-Mail: s.zarandooz@gmail.com

(KSA) Salem Agencies & Services Co.
Hamad Al Haqueel Street, Rawdah,
Jeddah 21413
Kingdom of Saudi Arabia
Tel +966 (2) 665 4616
Fax +966 (2) 660 7864
E-mail: hkurkjian@aol.com

(LV) **(EST)** Kpartners, SIA
A. aka iela 80
R ga, LV-1011, Latvia
Tel +3 71 - 67 29 29 59
Fax +3 71 - 67 31 05 68
E-mail: olga@dom332.lv

(LT) A Cappella Ltd.
Ausros Vartu 5, Pasazo skg.
01129 Vilnius, Lithuania
Tel +370 - 52 12 22 96
Fax +370 - 52 62 66 81
E-mail: info@loewe.lt

(M) Doneo Co. Ltd
34/36 Danny Cremona Street
Hamrun, HMR1514, Malta
Tel +356 - 21 - 22 53 81
Fax +356 - 21 - 23 07 35
E-mail: service@doneo.com.mt

(MA) Somara S.A.
377, Rue Mustapha El Maani
20000 Casablanca, Morocco
Tel +212 - 22 22 03 08
Fax +212 - 22 26 00 06
E-mail: somara@somara.ma

(N) Premium Consumer Electronics as
Østre Kullerød 5
3241 Sandefjord, Norge
Tel +47 - 33 29 30 40
Fax +47 - 33 44 60 44
E-mail: loewe@loewe.no

(NZ) Audio Products Group Pty Ltd
67 O'Riordan St
Alexandria NSW 2015, Australia
Tel 0800 174 781
Fax +61 - 02 9578 0140
E-mail: help@audioproducts.com.au

(P) Mayro Magnetis Portugal, Lda.
Rua Professor Henrique de Barros
Edifício Sagres, 2.º. C
2685-338 Prior Velho, Portugal
Tel +351 - 21 942 78 30
Fax +351 - 21 940 00 78
E-mail: geral.loewe@mayro.pt

(PL) 3LOGIC Sp.z o.o.
ul. Zakopia ska 153
30-435 Kraków
Tel +48 - 12 640 20 00
Fax +48 - 12 640 20 01
www.3logic.pl

(RUS) Service Center Loewe
Aptekarsky per.4 podjez 5A
105005 Moscow, Russia
Tel +7 - 499 940 42 32 (ext. 454)
Fax +7 - 495 730 78 01
E-mail: service@loewe-cis.ru

(S) EET Europarts AB
Nordisk Loewe distributor
Box 4124
SE-131 04, Nacka, Sverige
Tel +46 - 8 507 510 00
E-mail: Kundservice@eeturoparts.se

(SG) Atlas Sound & Vision Pte Ltd
10 Winstedt Road #01-18
Singapore 227977
Tel +65 - 6334 9320
Fax +65 - 6339 1615
E-mail: service@atlas-sv.com

(SK) BaSys SK, s.r.o.
Stará Vajnorská 37/C
83104 Bratislava, Slovakia
Tel + 421 2 49 10 66 18
Fax + 421 2 49 10 66 33
E-mail: loewe@basys.sk

(TR) SERVISPLUS GENEL MERKEZ
ÖRNEK MAH. ATES SOK. NO:1
34704 ATASEHIR, ISTANBUL, TÜRKIYE
Tel +90 - 216 315 39 00
Fax +90 - 216 315 49 50
E-mail: info@servisplus.com.tr

(UAE) Dubai Audio Center
P.O. Box 32836, Sheikh Zayed Road
Dubai, UAE
Tel +971 - 4 343 14 41
Fax +971 - 4 343 77 48
E-mail: service@dubaiaudio.com